



PREMIUM ELECTRIC FIRES MADE IN BRITAIN



BUILT ON PEDIGREE

E-FX Fires - environmentally friendly, real in appearance and unbelievably electric.

For the last 25 years, Flamerite Fires has been proudly manufacturing in the UK, supporting local, independent fireplace retailers across Great Britain.

Ever since we were established back in 1999, the business has been built on the principles of innovation and driving engineering excellence forward. Our focus is on championing new and exciting designs whilst ensuring the environmental health of our planet is protected for generations to come.



REASONS TO CHOOSE E-FX



UNPRECEDENTED CUSTOMER SERVICE

★★★★★ Trustpilot

Friendly assistance from real people – we're extremely easy to contact by phone or email.



ULTRA RELIABILITY

Our award-winning electric fires and fireplaces are designed, assembled, patented and made in Great Britain to the highest UK and European Standards (BS-EN).



3 YEAR FLAMERITE WARRANTY AS STANDARD *

Every E-FX fire comes with a full Flamerite Fires 3-year parts & labour warranty, extendable to 4 years with access to certain benefits in year 5, guaranteeing the longevity of your fireplace for years to come. * Excludes Ireland & NI.





E-FX HOME

- Powered by AWS consumer supported remote diagnostic back up service
- FULL 3 year warranty * with 4th & 5th year option.
* Excludes Ireland & NI.
- Wireless exterior mood lighting kit
- Eco Compliant technology allows you to independently operate a hidden 1.5 KW thermostatically controlled heating system
- 7-day adaptive dual event timer
- Open window detection
- Easy one hour install with a 3 pin plug

E-FX CONTROLS

Offering a genuinely user-friendly experience that includes:

- Remote control
- Manual keypad
- Advanced app control
- Compatible with Google Home & Alexa



FLAME E-FX

- AeroFlame® technology and class leading flame effect (patents pending)
- Ultra black three-dimensional realism (with a full non-reflective rear screen option)
- Non-reflective UHD front glass option
- Variable flame speeds
- Variable flame animations
- Power up pre-set and user programmable favourite animations

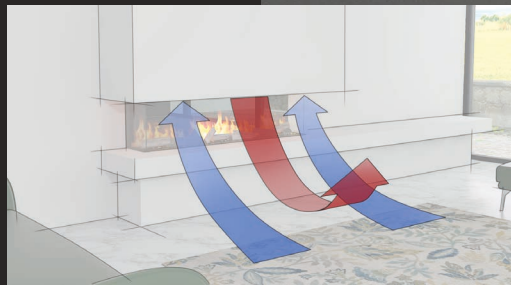
E-FX GLO

- Authentic looking animated log effect with a focalised burn
- Realistic animated smouldering embers
- Shadow enhanced animated downlighting



AEROGLIDE AIRFLOW

A hidden heater with an ultra slim 2cm recess around the fire. The tilting glass mechanism allows for an efficient draw of cool air and a flow of hot air back into the room.





CHOICE OF LOGS

E-FX Glo



Premier Logs

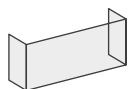




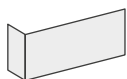
E-FX 1800

CONFIGURATION OPTIONS:

- All E-FX Fires may be ordered and configured as either a panoramic 3-sided, corner 2-sided or front facing 1-sided fire
- App controlled optional exterior mood lighting kit
- Easy one hour install with a 3 pin plug



3-SIDED FIRE



2-SIDED FIRE



1-SIDED FIRE



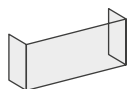
SCAN THE QR CODE OR
SEE PAGE 34 FOR MORE
INFORMATION



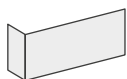
E-FX 1500

CONFIGURATION OPTIONS:

- All E-FX Fires may be ordered and configured as either a panoramic 3-sided, corner 2-sided or front facing 1-sided fire
- App controlled optional exterior mood lighting kit
- Easy one hour install with a 3 pin plug



3-SIDED FIRE



2-SIDED FIRE



1-SIDED FIRE



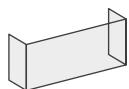
SCAN THE QR CODE OR
SEE PAGE 34 FOR MORE
INFORMATION



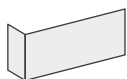
E-FX 1300

CONFIGURATION OPTIONS:

- All E-FX Fires may be ordered and configured as either a panoramic 3-sided, corner 2-sided or front facing 1-sided fire
- App controlled optional exterior mood lighting kit
- Easy one hour install with a 3 pin plug



3-SIDED FIRE



2-SIDED FIRE



1-SIDED FIRE



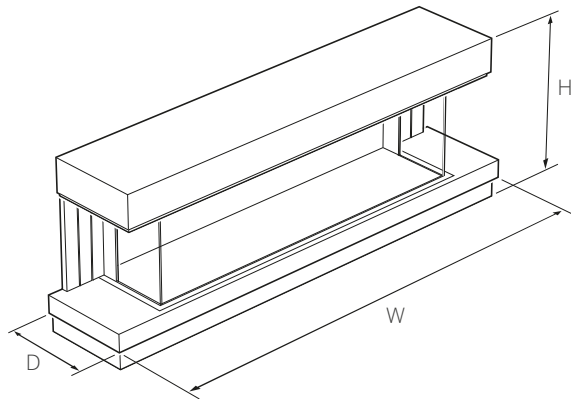
SCAN THE QR CODE OR
SEE PAGE 34 FOR MORE
INFORMATION



ELARA 1300

CONFIGURATION OPTIONS:

- Three flat wall options configurable as Wall Mounted or Floor Standing, available with a plinth or on contemporary legs
- As standard, each fire features Wi-Fi app controlled dual mood lighting
- Oak with white top & base
- Easy one hour install with a 3 pin plug



Dimensions: H: 626mm | W: 1740mm | D: 345mm



SCAN THE QR CODE OR
SEE PAGE 35 FOR MORE
INFORMATION

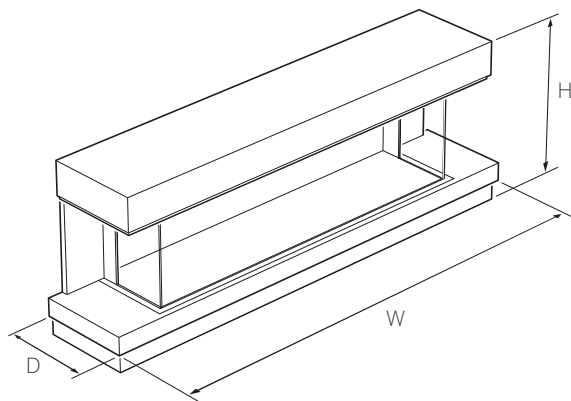




PAYTON 1300

CONFIGURATION OPTIONS:

- Three flat wall options configurable as Wall Mounted or Floor Standing, available with a plinth or on contemporary legs
- As standard, each fire features Wi-Fi app controlled dual mood lighting
- Slate with white top & base
- Easy one hour install with a 3 pin plug



Dimensions: H: 626mm | W: 1740mm | D: 345mm



SCAN THE QR CODE OR
SEE PAGE 35 FOR MORE
INFORMATION

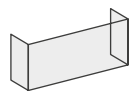




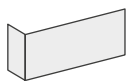
E-FX 1000

CONFIGURATION OPTIONS:

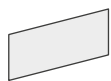
- All E-FX Fires may be ordered and configured as either a panoramic 3-sided, corner 2-sided or front facing 1-sided fire
- App controlled optional exterior mood lighting kit
- Easy one hour install with a 3 pin plug



3-SIDED FIRE



2-SIDED FIRE



1-SIDED FIRE



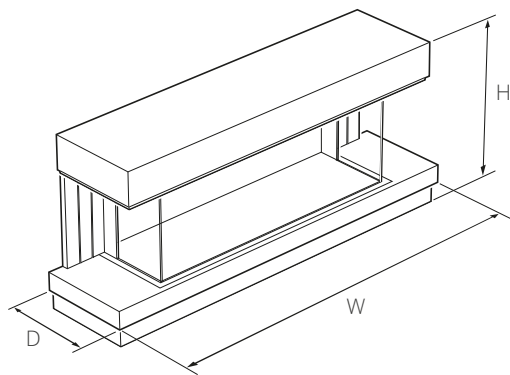
SCAN THE QR CODE OR
SEE PAGE 34 FOR MORE
INFORMATION



ELARA 1000

CONFIGURATION OPTIONS:

- Three flat wall options configurable as Wall Mounted or Floor Standing, available with a plinth or on contemporary legs
- As standard, each fire features Wi-Fi app controlled dual mood lighting
- Oak with white top & base
- Easy one hour install with a 3 pin plug



Dimensions: H: 626mm | W: 1440mm | D: 345mm



SCAN THE QR CODE OR
SEE PAGE 35 FOR MORE
INFORMATION

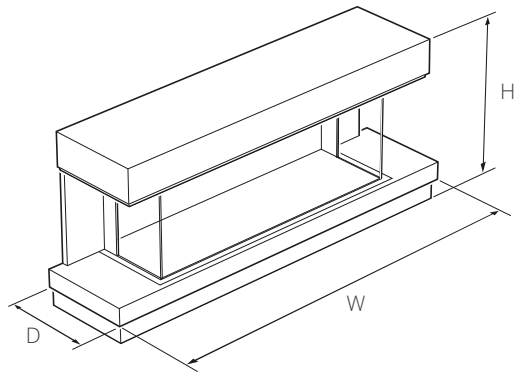




PAYTON 1000

CONFIGURATION OPTIONS:

- Three flat wall options configurable as Wall Mounted or Floor Standing, available with a plinth or on contemporary legs
- As standard, each fire features Wi-Fi app controlled dual mood lighting
- Slate with white top & base
- Easy one hour install with a 3 pin plug



Dimensions: H: 626mm | W: 1440mm | D: 345mm



SCAN THE QR CODE OR
SEE PAGE 35 FOR MORE
INFORMATION

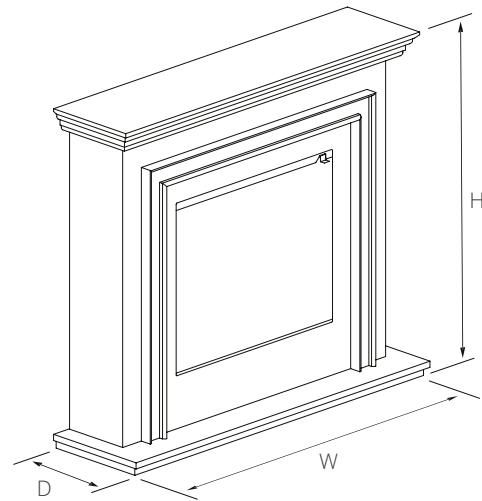




CAPELLA

CONFIGURATION OPTIONS:

- Freestanding flat wall fix
- Available in White
- Easy one hour install with a 3 pin plug



Dimensions: H: 995mm | W: 1140mm | D: 320mm



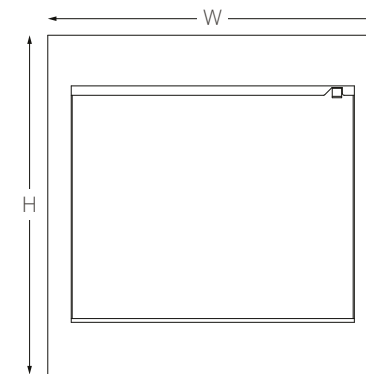
SCAN THE QR CODE OR SEE
PAGE 36 & 37 FOR MORE
INFORMATION



E-FX SL600

CONFIGURATION OPTIONS:

- Glass fronted flush to wall
- Easy one hour install with a 3 pin plug
- Visible burn area W: 600mm x H: 500mm



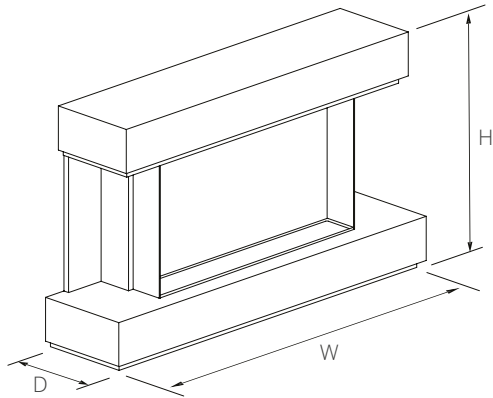
Dimensions: H: 721mm | W: 700mm



MILAN

CONFIGURATION OPTIONS:

- Flat wall fix
- White with stone panels
- Easy one hour install with a 3 pin plug



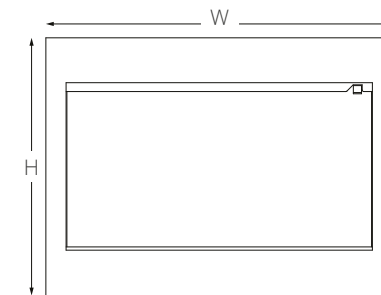
Dimensions: H: 700mm | W: 1200mm | D: 285mm



E-FX SL750S

CONFIGURATION OPTIONS:

- Glass fronted flush to wall
- Easy one hour install with a 3 pin plug
- Visible burn area W: 750mm x H: 410mm



Dimensions: H: 631mm | W: 850mm



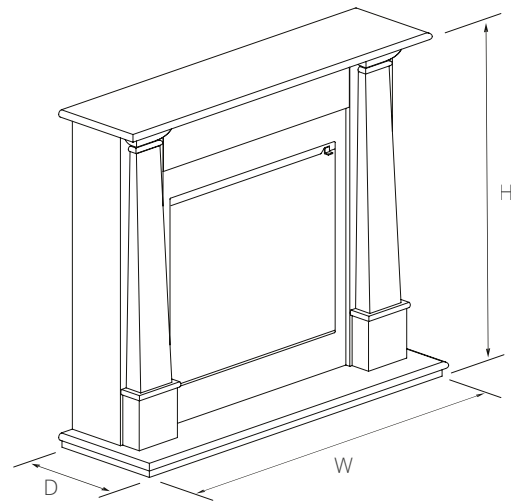
SCAN THE QR CODE OR SEE
PAGE 36 & 37 FOR MORE
INFORMATION



EUROPA

CONFIGURATION OPTIONS:

- Flat wall fix
- Available in White
- Easy one hour install with a 3 pin plug



Dimensions: H: 1165mm | W: 1370mm | D: 415mm



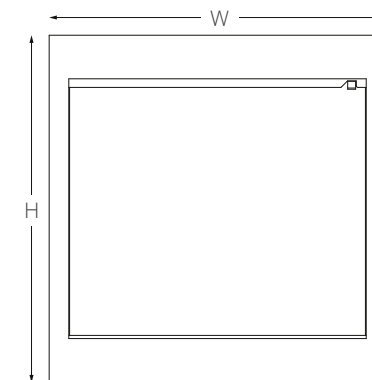
SCAN THE QR CODE OR SEE
PAGE 36 & 37 FOR MORE
INFORMATION



E-FX SL750T

CONFIGURATION OPTIONS:

- Glass fronted flush to wall
- Easy one hour install with a 3 pin plug
- Visible burn area W: 750mm x H: 655mm



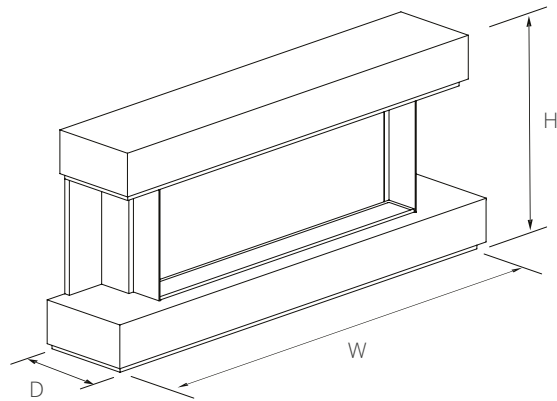
Dimensions: H: 876mm | W: 850mm



LAZIO

CONFIGURATION OPTIONS:

- Flat wall fix
- White with stone panels
- Easy one hour install with a 3 pin plug



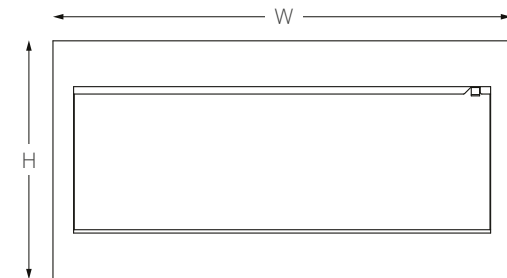
Dimensions: H: 640mm | W: 1500mm | D: 285mm



E-FX SL1000

CONFIGURATION OPTIONS:

- Glass fronted flush to wall
- Easy one hour install with a 3 pin plug
- Visible burn area W: 1000mm x H: 350mm



Dimensions: H: 572mm | W: 1100mm



SCAN THE QR CODE OR SEE
PAGE 36 & 37 FOR MORE
INFORMATION

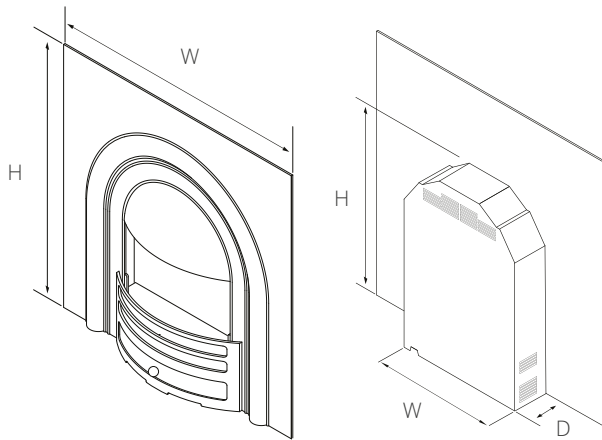
BRONTE
WITH SOMERSBY CAST



SOMERSBY

CONFIGURATION OPTIONS:

- 175mm inset depth
- Remote & manual controls
- Works with Alexa & Google Assistant
- Variable flame speed control
- Six unique flame effects
- Concealed 750/1500W heat output
- Bronte & Aubade available in White
- Somersby Cast insert also available separately (see page 35)



Front Dimensions: H: 950mm | W: 950mm

Inset Dimensions: H: 780mm | W: 530mm | D: 130mm



SCAN THE QR CODE OR SEE
PAGE 35 & 37 FOR MORE
INFORMATION

AUBADE WITH SOMERSBY CAST

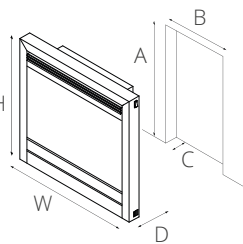




ALTO

CONFIGURATION OPTIONS:

- 150mm inset depth with full or semi spacer option
- E-FX Glo or Premier log with over fuel bed lighting
- Glass front
- Available in chrome, gun metal or brass
- Remote & manual controls
- Works with Alexa & Google Assistant
- Variable flame speed control
- Six unique flame effects
- Concealed 750/1500W heat output



Dimensions: H: 610mm | W: 510mm | D: 220mm

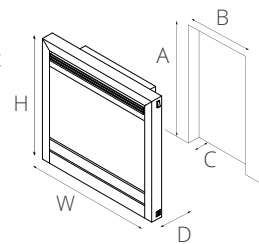
Inset Dimensions: A: 560mm | B: 410mm | C: 150mm



CERA

CONFIGURATION OPTIONS:

- 150mm inset depth with full or semi spacer option
- E-FX Glo or Premier log with over fuel bed lighting
- Available in chrome with gun metal overlay
- Remote & manual controls
- Works with Alexa & Google Assistant
- Variable flame speed control
- Six unique flame effects
- Concealed 750/1500W heat output



Dimensions: H: 610mm | W: 510mm | D: 265mm

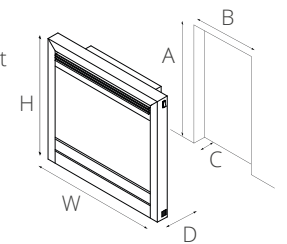
Inset Dimensions: A: 560mm | B: 410mm | C: 150mm



TAMA

CONFIGURATION OPTIONS:

- 150mm inset depth with full or semi spacer option
- E-FX Glo or Premier log with over fuel bed lighting
- Available in brass or silver
- Remote & manual controls
- Works with Alexa & Google Assistant
- Variable flame speed control
- Six unique flame effects
- Concealed 750/1500W heat output



Dimensions: H: 610mm | W: 510mm | D: 280mm

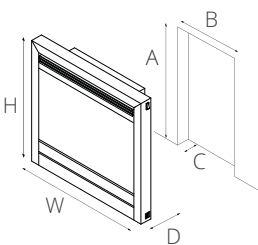
Inset Dimensions: A: 560mm | B: 410mm | C: 150mm



LANDO

CONFIGURATION OPTIONS:

- 75mm inset depth with spacer option
- Ceramic log set with over fuel bed lighting
- Glass front
- Available in chrome, gun metal or brass
- Remote & manual controls
- Works with Alexa & Google Assistant
- Variable flame speed control
- Six unique flame effects
- Concealed 750/1500W heat output



Dimensions: H: 610mm | W: 650mm | D: 145mm

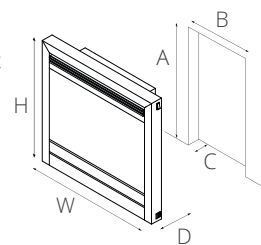
Inset Dimensions: A: 560mm | B: 410mm | C: 75mm



REID

CONFIGURATION OPTIONS:

- 75mm inset depth with spacer option
- Premier log set with over fuel bed lighting
- Available in brass or silver
- Remote & manual controls
- Works with Alexa & Google Assistant
- Variable flame speed control
- Six unique flame effects
- Concealed 750/1500W heat output



Dimensions: H: 610mm | W: 650mm | D: 185mm

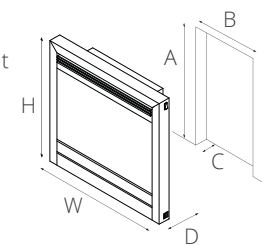
Inset Dimensions: A: 560mm | B: 410mm | C: 75mm



VENTO

CONFIGURATION OPTIONS:

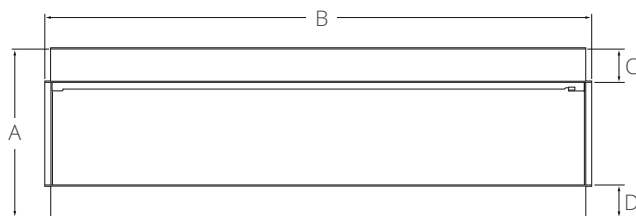
- 75mm inset depth with spacer option
- Ceramic log set with over fuel bed lighting
- Available in chrome with gun metal overlay
- Remote & manual controls
- Works with Alexa & Google Assistant
- Variable flame speed control
- Six unique flame effects
- Concealed 750/1500W heat output



Dimensions: H: 610mm | W: 650mm | D: 205mm

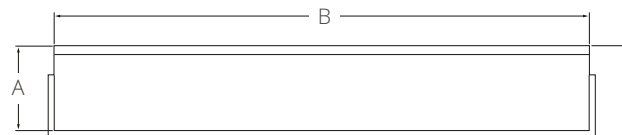
Inset Dimensions: A: 560mm | B: 410mm | C: 75mm

E-FX 1800 FIRE
DIMENSIONS (MM)



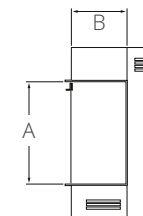
E-FX 1800 FRONT

A: 574 | B: 1842 | C: 113 | D: 110



E-FX 1800 TOP

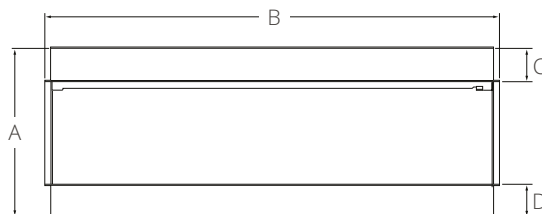
A: 285 | B: 1805 | C: 305



E-FX 1800 SIDE

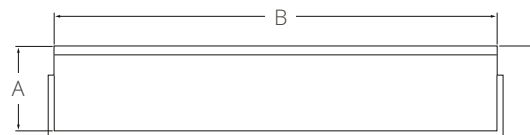
A: 355 | B: 189

E-FX 1500 FIRE
DIMENSIONS (MM)



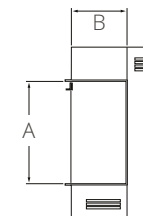
E-FX 1500 FRONT

A: 574 | B: 1542 | C: 113 | D: 110



E-FX 1500 TOP

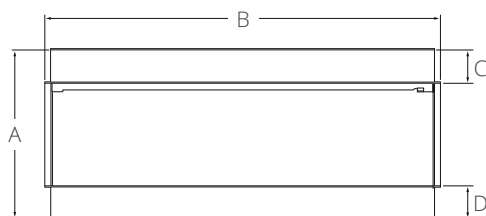
A: 285 | B: 1505 | C: 305



E-FX 1500 SIDE

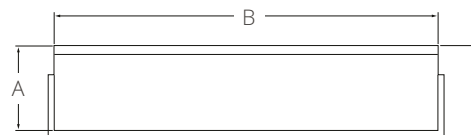
A: 355 | B: 189

E-FX 1300 FIRE
DIMENSIONS (MM)



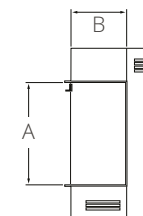
E-FX 1300 FRONT

A: 574 | B: 1342 | C: 113 | D: 110



E-FX 1300 TOP

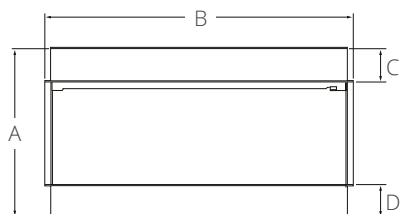
A: 285 | B: 1305 | C: 305



E-FX 1300 SIDE

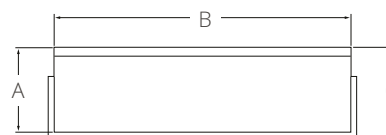
A: 355 | B: 189

E-FX 1000 FIRE
DIMENSIONS (MM)



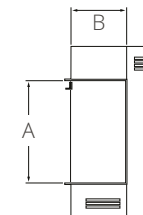
E-FX 1000 FRONT

A: 574 | B: 1042 | C: 113 | D: 110



E-FX 1000 TOP

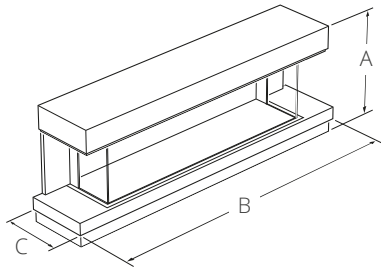
A: 285 | B: 1005 | C: 305



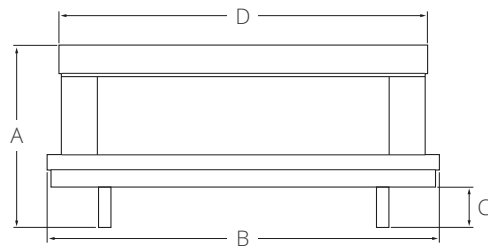
E-FX 1000 SIDE

A: 355 | B: 189

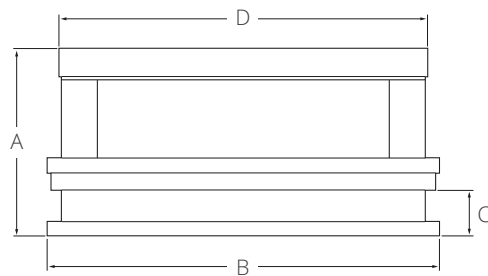
PAYTON / ELARA 1300
DIMENSIONS (MM)



PAYTON / ELARA 1300 WALL MOUNTED
A: 626 | B: 1740 | C: 345

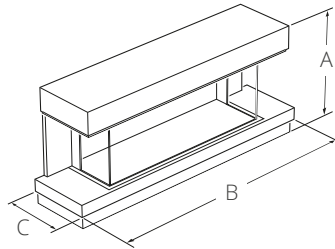


PAYTON / ELARA 1300 CONTEMPORARY LEGS
A: 801 | B: 1740 | C: 175 | D: 1640

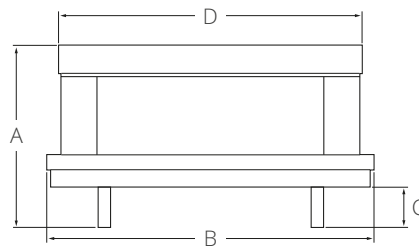


PAYTON / ELARA 1300 PLINTH
A: 827 | B: 1740 | C: 201 | D: 1640

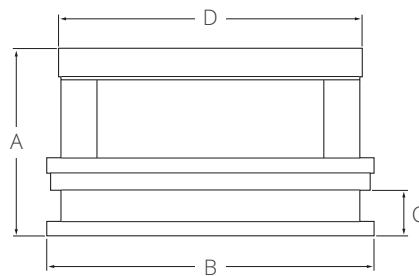
PAYTON / ELARA 1000
DIMENSIONS (MM)



PAYTON / ELARA 1000 WALL MOUNTED
A: 626 | B: 1440 | C: 345

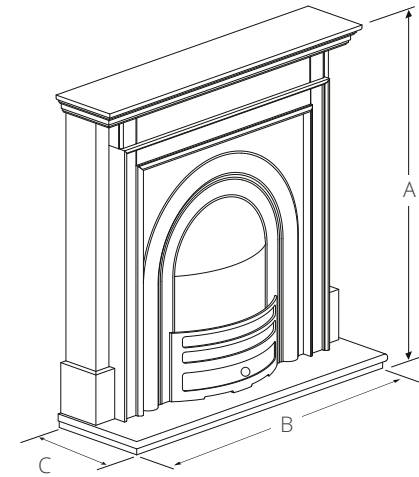


PAYTON / ELARA 1000 CONTEMPORARY LEGS
A: 801 | B: 1440 | C: 175 | D: 1340



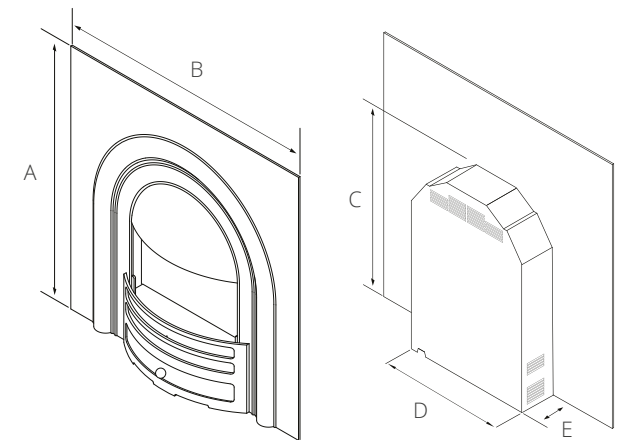
PAYTON / ELARA 1000 PLINTH
A: 827 | B: 1440 | C: 201 | D: 1340

AUBADE
DIMENSIONS (MM)



FRONT
A: 1195 | B: 1220 | C: 390

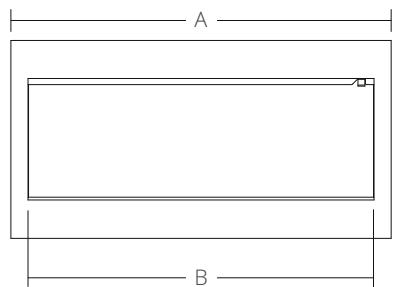
SOMERSBY INSET
DIMENSIONS (MM)



FRONT / INSET
A: 950 | B: 950 | C: 780 | D: 530 | E: 130

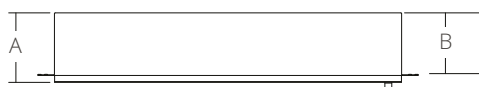
E-FX SL1000

DIMENSIONS (MM)



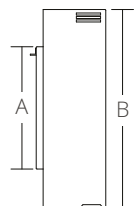
FRONT

A: 1100 | B: 1003



TOP

A: 200 | B: 180

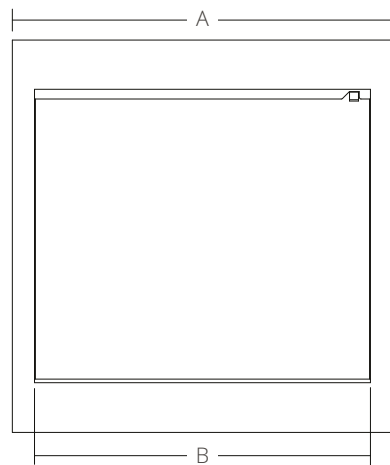


SIDE

A: 354 | B: 572

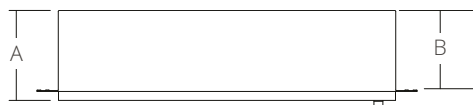
E-FX SL750T

DIMENSIONS (MM)



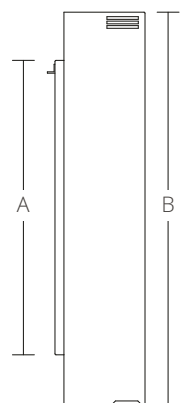
FRONT

A: 850 | B: 753



TOP

A: 200 | B: 180

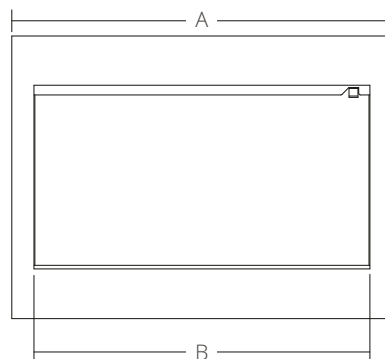


SIDE

A: 658 | B: 876

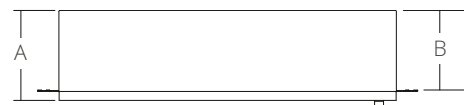
E-FX SL750S

DIMENSIONS (MM)



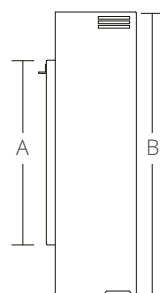
FRONT

A: 850 | B: 753



TOP

A: 200 | B: 180

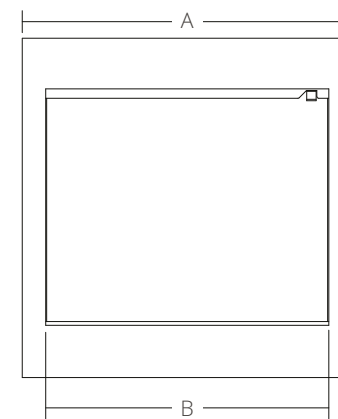


SIDE

A: 413 | B: 631

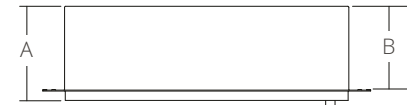
E-FX SL600

DIMENSIONS (MM)



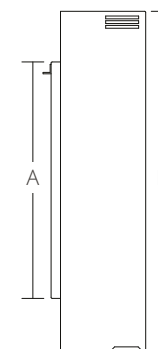
FRONT

A: 700 | B: 603



TOP

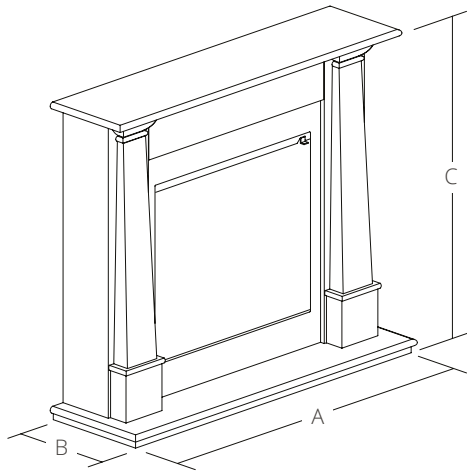
A: 200 | B: 180



SIDE

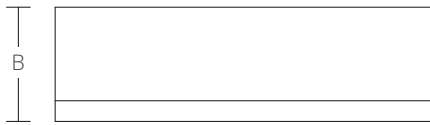
A: 503 | B: 721

EUROPA / BRONTE
DIMENSIONS (MM)



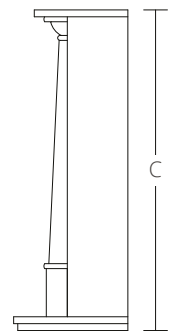
FRONT

A: 1370 | B: 415 | C: 1165



TOP

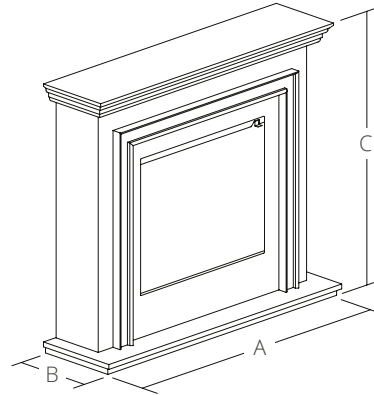
B: 415



SIDE

C: 1165

CAPELLA E-FX SL600
DIMENSIONS (MM)



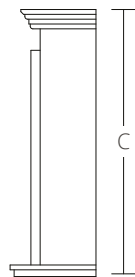
FRONT

A: 1140 | B: 320 | C: 995



TOP

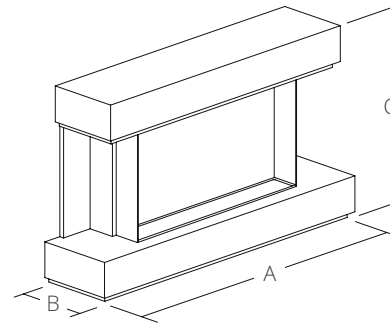
B: 320



SIDE

C: 995

MILAN E-FX SL750S
DIMENSIONS (MM)



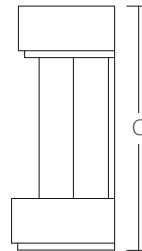
FRONT

A: 1200 | B: 285 | C: 700



TOP

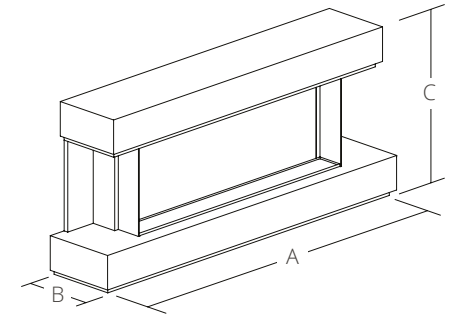
B: 285



SIDE

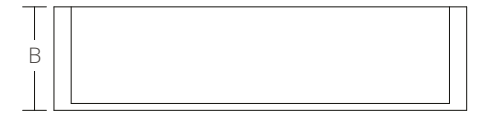
C: 700

LAZIO E-FX SL1000
DIMENSIONS (MM)



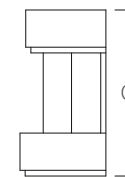
FRONT

A: 1500 | B: 285 | C: 640



TOP

B: 285



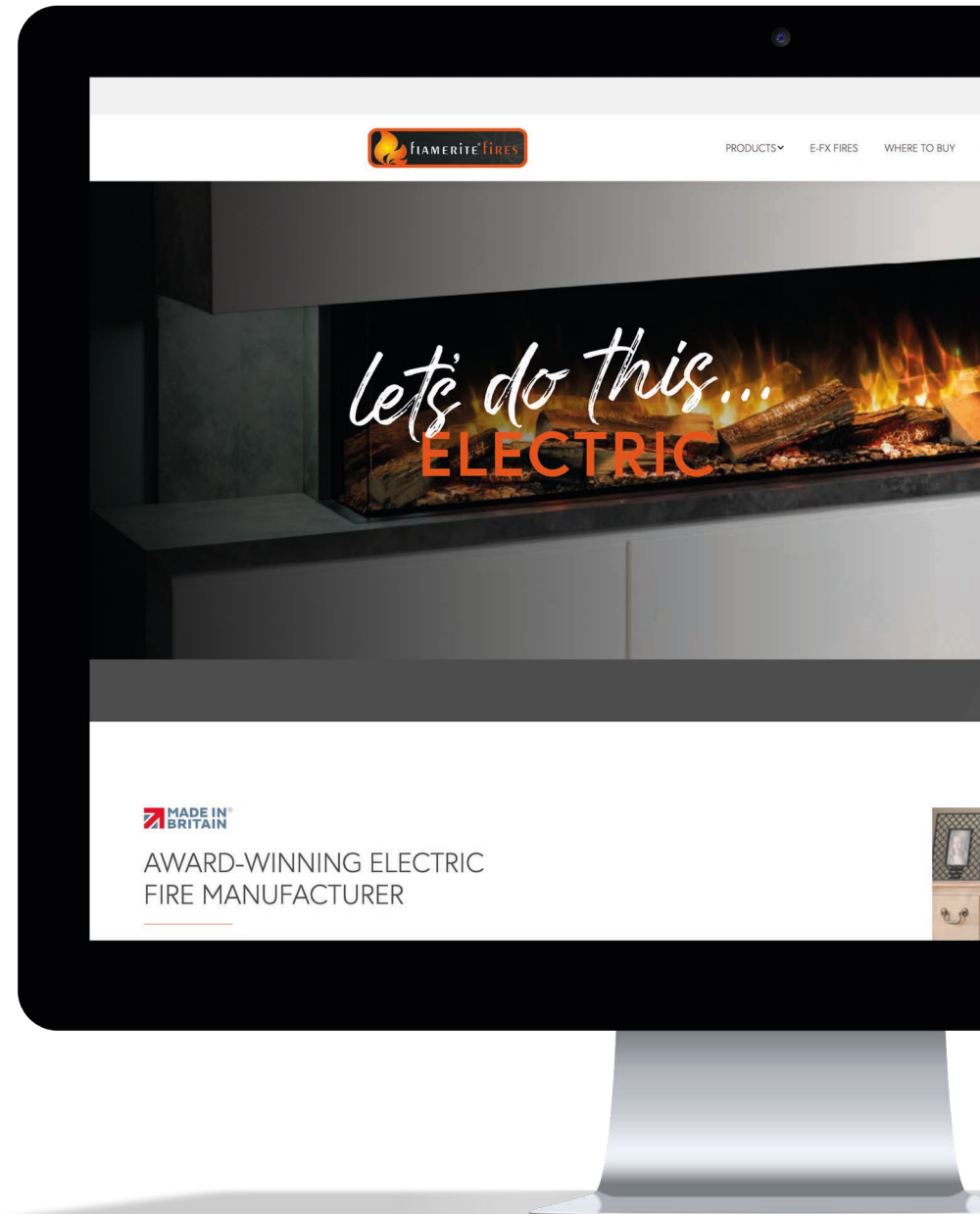
SIDE

C: 640

NOTES

VIEW OUR FULL RANGE OF FLAMERITE FIRES

www.flameritefires.com





www.flameritefires.com

Greenhough Road, Lichfield, Staffordshire WS13 7AU

Tel: 01543 251122 | **Fax:** 01543 251133 | **Email:** info@flameritefires.com

These products are only suitable for well insulated spaces or occasional use.

Manufactured in the United Kingdom. All products are protected by patents, registered design and intellectual property rights. We will protect these rights. All specifications are correct at the time of publishing but are subject to change.

DISTRIBUTED BY

Company:

Address:

Telephone:

Email:

Website:



ELECTRIC FIRES MADE IN EUROPE